



CCW Kit

Cool Climate Wine

NEW

Retour vers le site



SLPA
INDUSTRIE & AGROFOURNITURES

The CCW Kit by SLPA® is a modular steel trellising system. It consists of 2 removable sections :

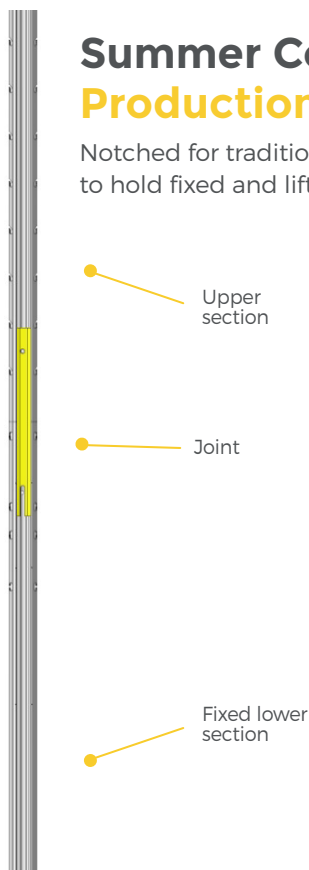
- a lower section permanently planted in the ground
- two interchangeable upper sections depending on the season



2 different configurations

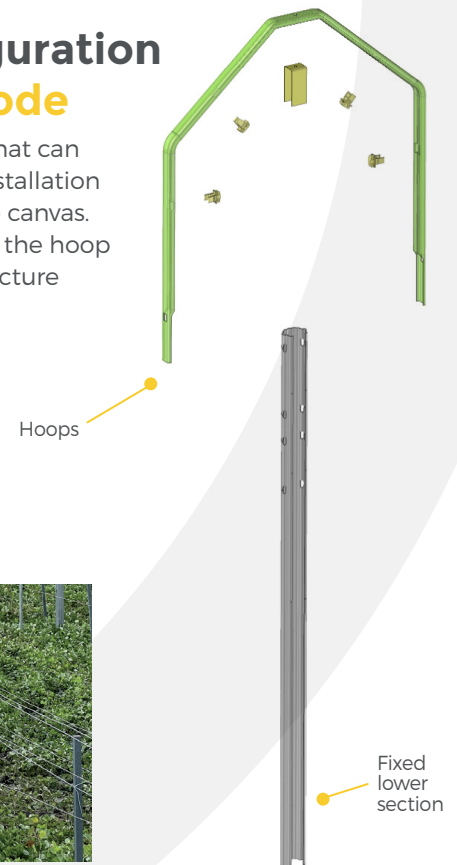
Summer Configuration Production Mode

Notched for traditional trellising system to hold fixed and lifting wires in place.



Winter Configuration Protection Mode

With steel hoop system that can withstand mechanical installation and removal of geotextile canvas. Trellising wires move into the hoop and create a support structure for the geotextile.



Quick and easy
to change
configuration

Benefits : this configuration is like traditional steel trellising with the guarantee of solidity, sustainability and resistance.

Benefits :

- significantly increases geotextile canvas lifespan
- time saving / less workforce required
- structure guaranteeing hermetic protection for optimised protection of plants and buds

Why choose SLPA® steel ?



Customization



Resistance



Weight



Life time



Productivity



Eco-Friendly



100% recyclable





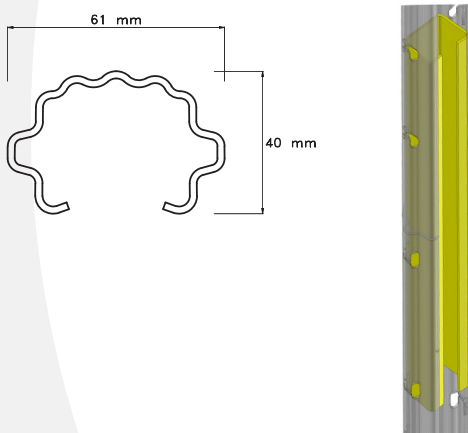
CCW Kit

Cool Climate Wine

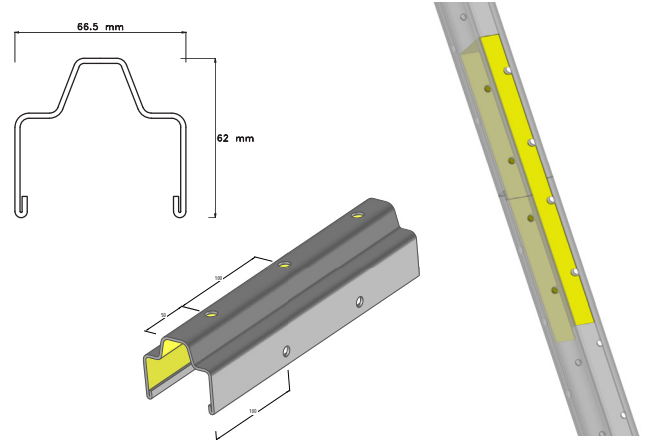
NEW

CCW Kit composition :

2 sections Vulcain® post
(Row post with notch system
and joint) *



2 sections P2B post
(End post with joint) *



Example of one composition :

Length	2250 mm (1200 mm + 1050 mm)
Material	S250GD
Coating	Z275 (NF EN 10142)
Thickness	1,8 mm (for Vulcain) and 2,5 mm (for P2B)
Other compositions available by request	

* See technical sheet of each posts

The CCW Kit by SLPA® solution has already been tested and approved :

Our **CCW Kit** is now recognised as the most effective solution for protecting vines from the canadian winter (Quebec, Ontario and British Columbia). Many major growers are starting to equip themselves for the 2024 trellising campaign. SLPA® is offering the CCW Kit to other wine-producing countries with similar challenging weather conditions (Northern Europe in particular).

