



Patented Innovation



SLPA

INDUSTRIE & AGROFOURNITURES

The ultimate trellising system that protects grapevines from weather hazards

Patented SLPA system and registered INT3NSETM trademark.

Made in France

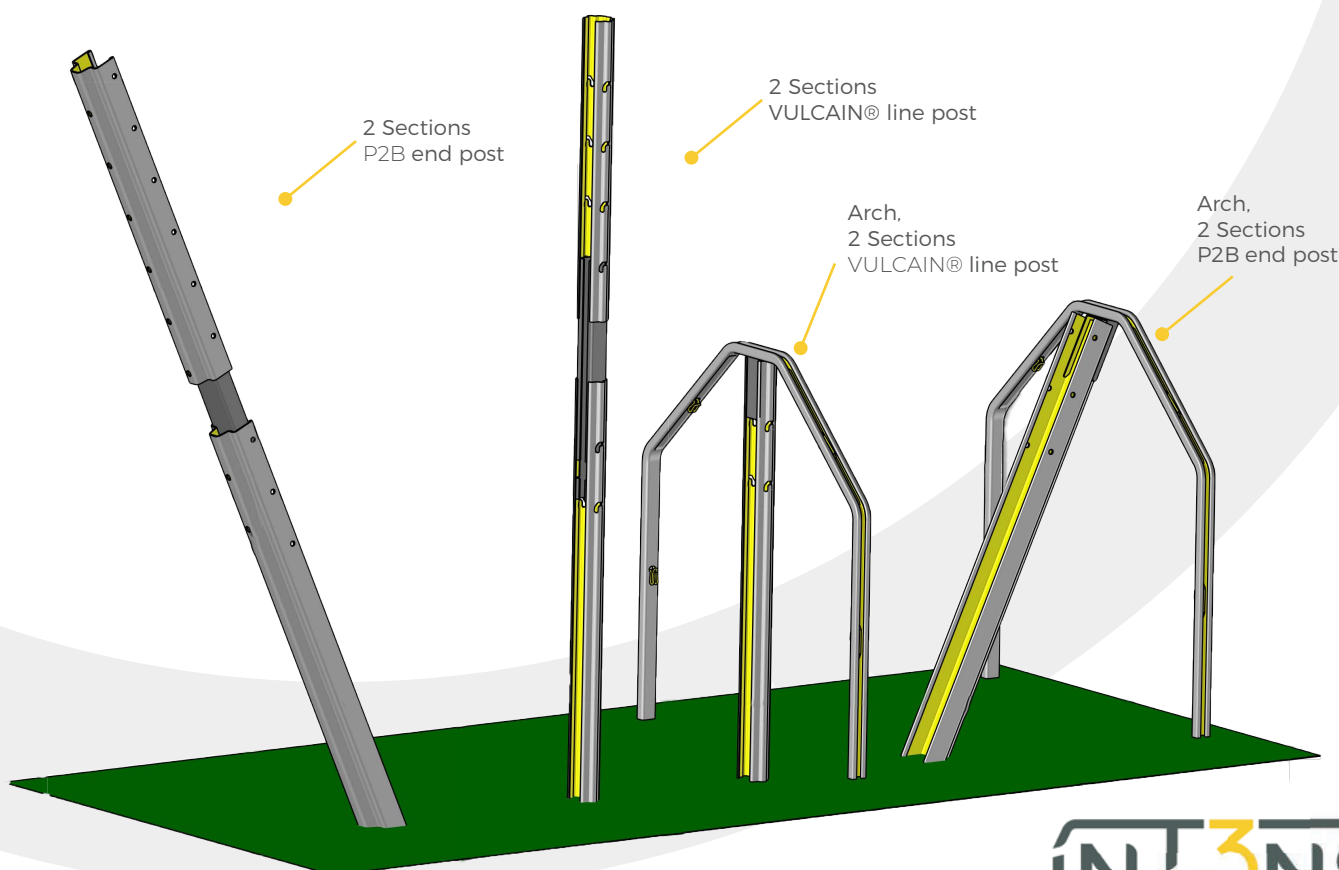


3 in 1 trellising solution

The trellising solution that can be adjusted and modulated according to the season.

- A simple, solid and sustainable efficient structure.
- A mastered design, adapted to vineyard mechanization.

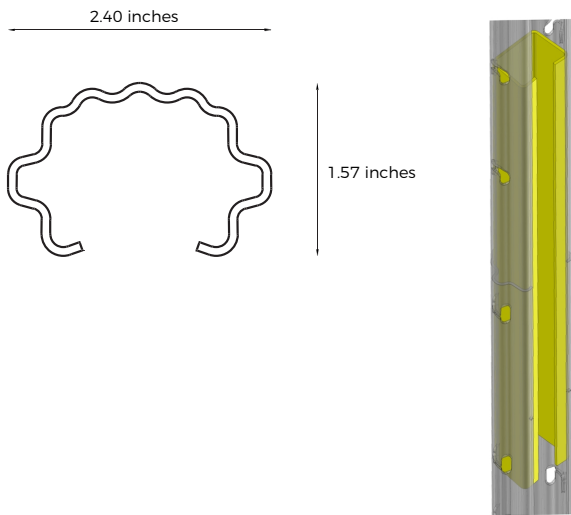
One lower section permanently fixed on the ground.
Two interchangeable upper sections : upper post for traditional trellising OR arches to support the protective fabric.



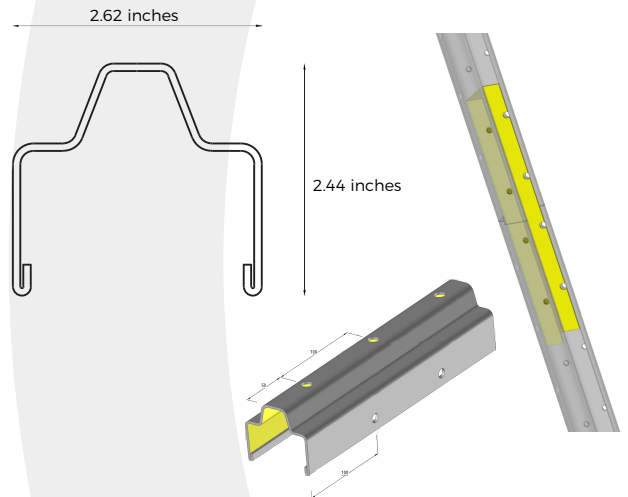
COMPOSITION

2 sections posts, arches and accessories

2 sections **VULCAIN®** post (Line post with notches system and joint spacer)*



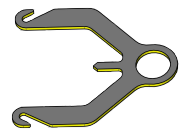
2 sections **P2B** end post (End post with joint spacer)*



Specifications

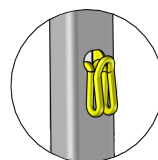
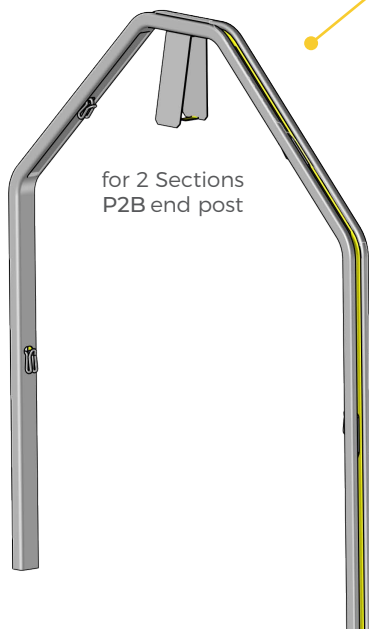
Lenght	88.58 inches (47.24 pouces + 41.24 inches)
Material	S250GD
Coating	Z275 (according in current standards)
Thickness	0.07 inches (for Vulcain ®) and 0.09 (for P2B)
Customized lengths and compositions available on request	

End bracket :
Easy vertical movement of wires to switch from traditional to protection mode

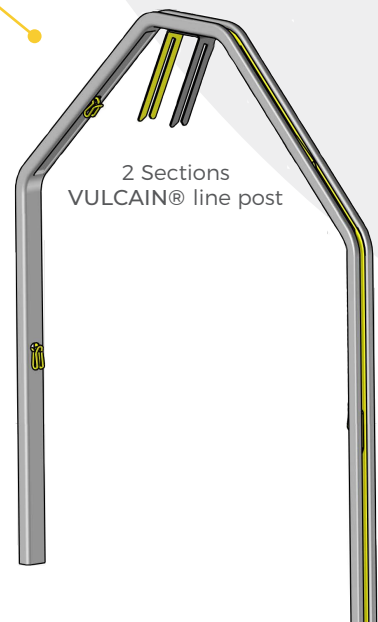


* Specific technical sheets

Arches with adapted interfaces



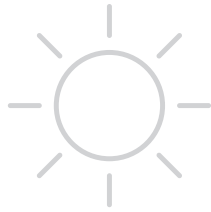
Stainless steel **hooks** to hold wires



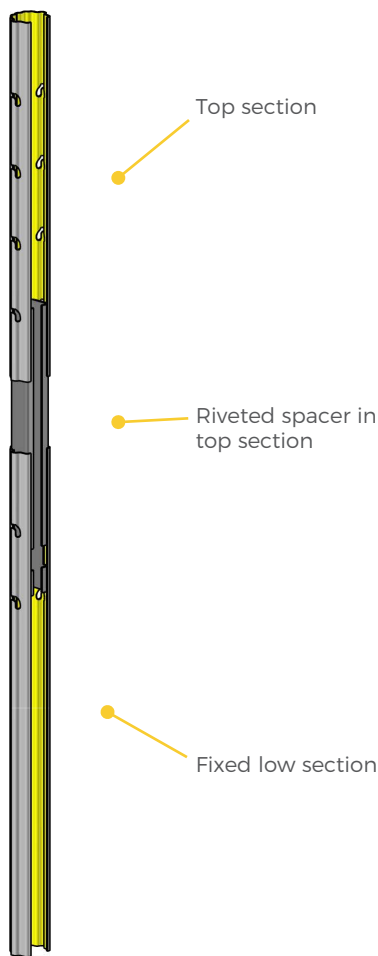
CONFIGURATIONS

2 possibles configurations

Traditional mode



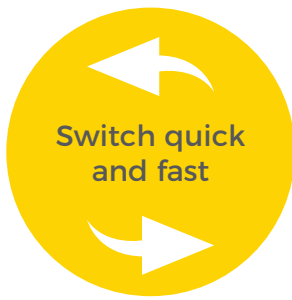
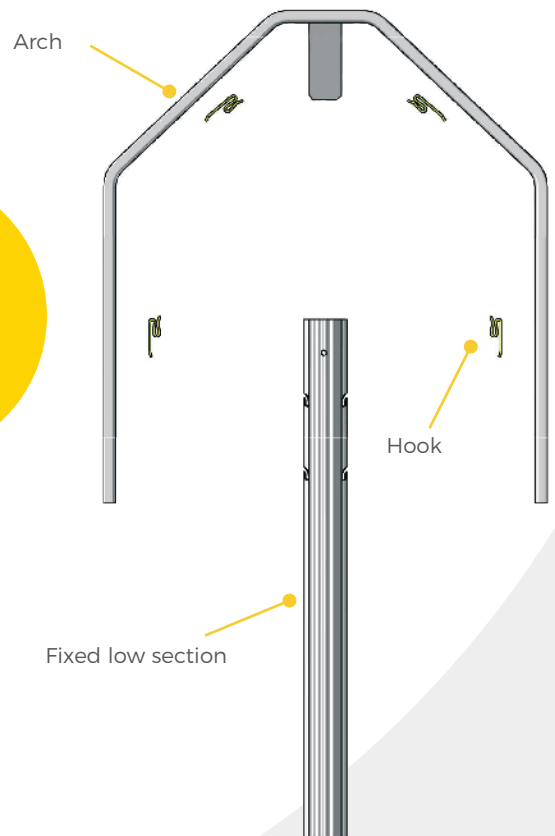
With traditional trellising notch fixing system to hold fixed and lifting wires in place.



Protection mode



With arch system designed to support mechanically unrolled fabrics. The trellising wires are inserted into the arch hooks, creating a structure supporting the fabric.



Benefits



- This configuration performs like a traditional trellising

Benefits



- Fabrics reused from one season to the other
- Saves time and labor
- Structure guarantees hermetic, optimal protection of grapevines and buds

Why choose SLPA® posts ?



Customization



Resistance



Weight



Life time



Productivity



Eco-Friendly



100% recyclable





The INT3NSE™ system provides hermetic protection once the fabric has been mechanically installed. The arches provide a support structure for the fabric, which covers and protects the grapevines. The right tension of the fabric deployed by the machine ensures the survival and longevity of the plant.

Mechanical fabric fitting



Mechanical fabric removal



Full
mechanization

INT3NSE™, a tested and approved solution



INT3NSE™ is the recognized most effective solution for protecting grapevines from Canadian winters. Also available for other wine-producing countries with extreme climatic conditions.



VITIS-IMPORT our partner and distributor in Canada and abroad

- Importer of European vineyard equipment and grapevines (vinifera).
- Service provider for trellising installation of the INT3NSE™ system.

VITIS

— IMPORT

info@vitis-import.ca
www.vitis-import.ca

